

FEATURES

- Heavy duty constructed frame
- Heavy duty burners & standby pilots
- Flame failure
- American Robert Shaw valves & controls
- Constructed in 304 stainless steel
- Stainless steel burners
- Heavy duty matt black cast iron grill
- Stainless steel splash back
- 3/4 inch pipe gas inlet
- 4 stainless steel screw on adjustable legs designed to sit on a bench
- Removal drip tray
- Manual controls
- Easy manual ignition to all burners
- Independent burner controls
- Heavy duty black matt trivets
- Available in NG & LPG
- Corrosion resistant & easy to maintain & keep clean
- Stands to suit all griddles available in stainless steel
- 2 years parts & labour warranty Australia wide

ATMG-24



ATMG-36



ATMG-48



INFORMATION	ATMG-24	ATMG-36	ATMG-48
Gas Type	NG/LPG	NG/LPG	NG/LPG
Gas Output per Burner Mj/h	30	30	30
Total power Output Mj/h(For even frying)	60	90	120
Dimensions(mm)	W610 x D725 x H385, 73kg	W910 x D725 x H385, 105kg	W1220 x D725 x H385, 134kg
Packaging Dimensions(mm)	W680 x D790 x H465, 88.5kg	W980 x D790 x H465, 127.5kg	W1310 x D830 x H450, 188.5kg



AUSTRALIA AND NEW ZEALAND
GAS SAFETY CERTIFICATION

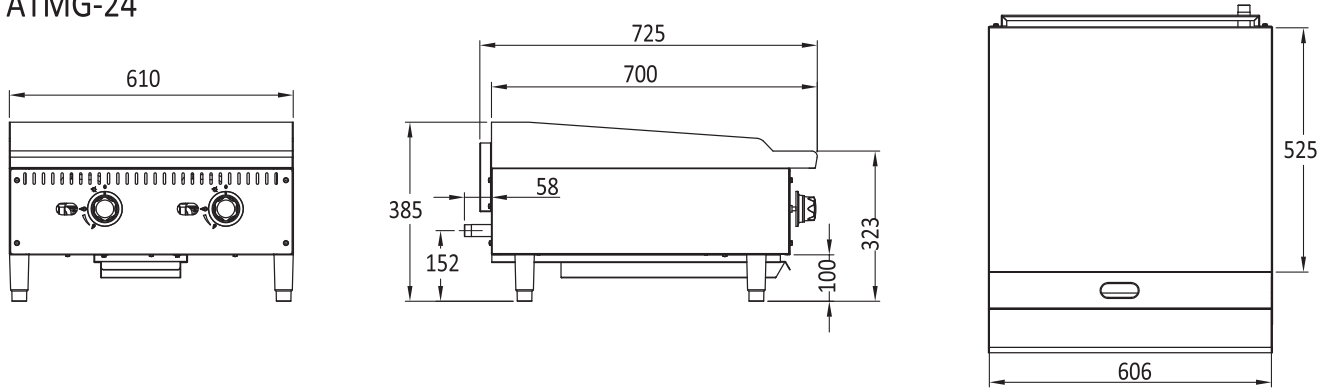
SAI-400232 AS 4563:2004 SAI Global



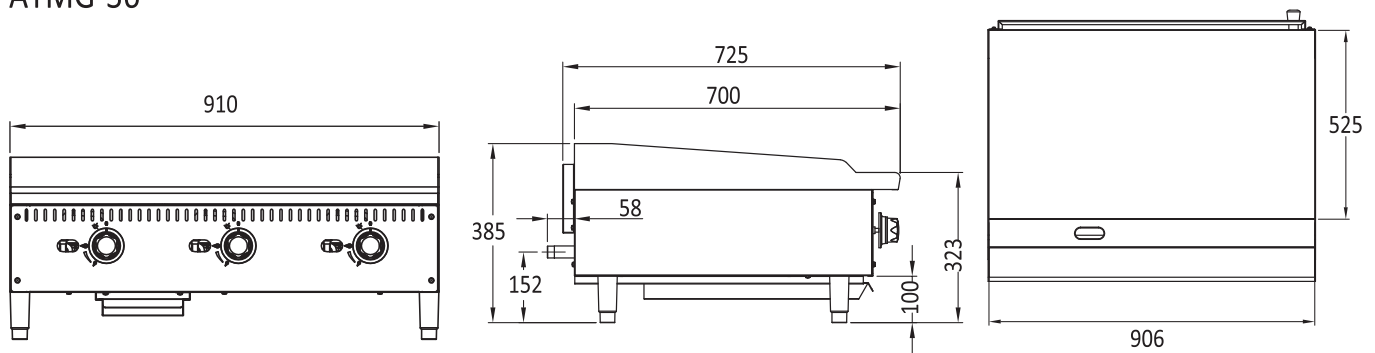
2 YEARS WARRANTY ON ALL PARTS & LABOUR
* EXTRA 2 YEARS WARRANTY ON PARTS WHEN YOU REGISTER WITH US ONLINE

GRIDDLE

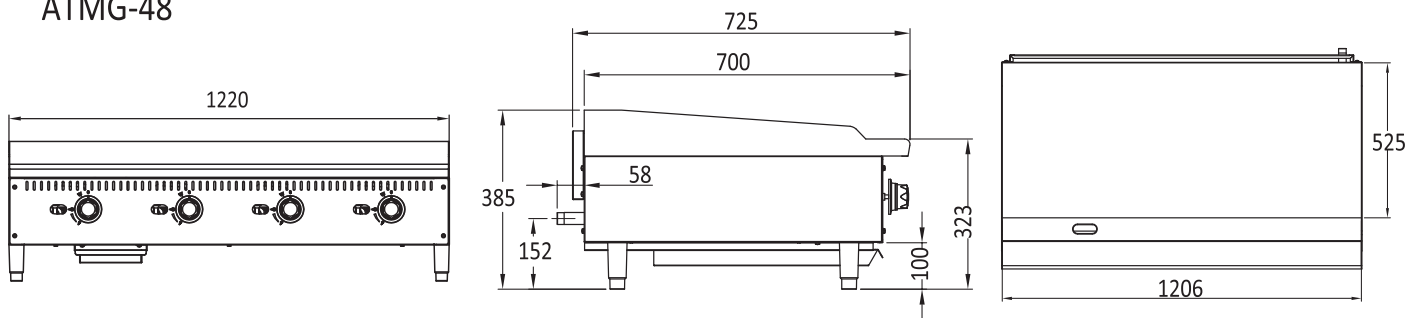
ATMG-24



ATMG-36



ATMG-48



AUSTRALIA AND NEW ZEALAND
GAS SAFETY CERTIFICATION
SAI-400232 AS 4563:2004 SAI Global



2 YEARS WARRANTY ON ALL PARTS & LABOUR
* EXTRA 2 YEARS WARRANTY ON PARTS WHEN YOU
REGISTER WITH US ONLINE