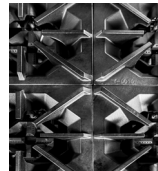


FEATURES

- Constructed in 304 stainless steel front back & sides
- Stainless kick plate including back guard & high shelf
- Heavy duty constructed frame
- Tall stainless-steel splash back
- Standard flame failure
- Heavy duty burners with a stable flame & standby pilots
- Stainless steel tubing for burners & pilots
- Easy to use low & high temp controls
- Heavy duty cast iron trivets
- Oven pilot with 100% safety shut off
- Heavy duty Robert Shaw USA thermostat
- American Robert Shaw components
- Manual ignition
- Piezo ignitors on oven only
- Adjustable stainless-steel legs
- 3/4 inch gas inlet
- Multiple position oven rack guides
- Comes with one chrome rack per oven
- Static oven
- Stainless steel legs
- Available in NG & LPG
- Each burner power is 21MJ



ATO-4B-F



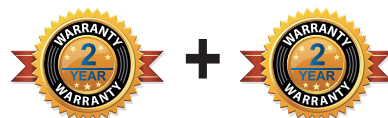
ATO-6B-F



ATO-8B-F

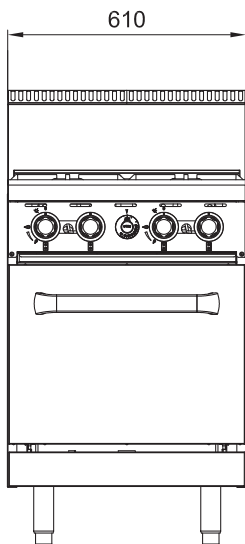


INFORMATION	ATO-4B-F	ATO-6B-F	ATO-8B-F
Gas Type	NG/LPG	NG/LPG	NG/LPG
Oven Power(MJ)	26	30	26
Total Power(MJ)	110	156	220
Dimensions(mm)	W610 x D790 x H1165, 132kg	W914 x D790 x H1165, 175kg	W1219 x D790 x H1165, 250kg
Packaging Dimensions(mm)	W675 x D990 x H1050, 185kg	W980 x D990 x H1050, 245kg	W1285 x D990 x H1050, 330kg

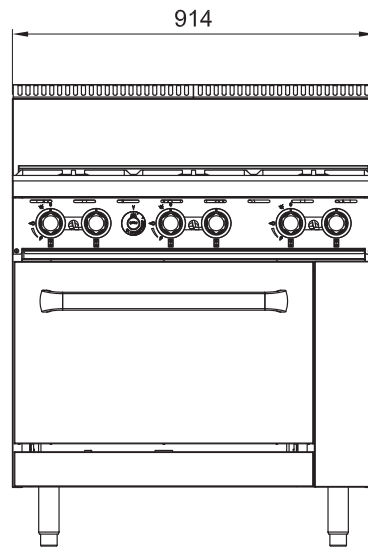


2 YEARS WARRANTY ON ALL PARTS & LABOUR
* EXTRA 2 YEARS WARRANTY ON PARTS WHEN YOU REGISTER WITH US ONLINE

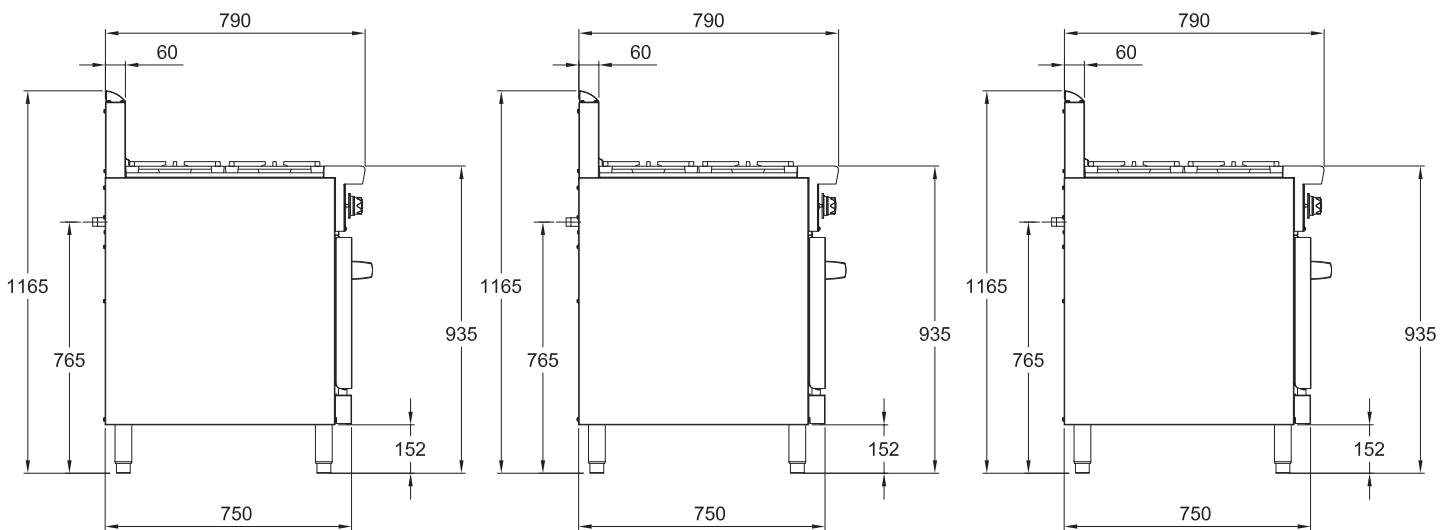
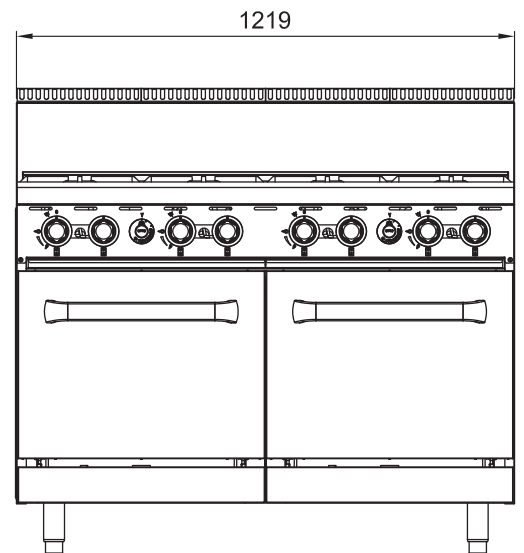
ATO-4B-F



ATO-6B-F



ATO-8B-F



2 YEARS WARRANTY ON ALL PARTS & LABOUR
* EXTRA 2 YEARS WARRANTY ON PARTS WHEN YOU REGISTER WITH US ONLINE